

NEW-TEM

PRODUCT DATA SHEET

THE ONLY TEM WITH HORIZONTAL
DEBURRING CHAMBER PATENTED



XP XL9100

This thermal deburring machine features a deburring chamber with an internal diameter of 410 mm and variable lengths from 500 to 600 mm; it is designed for deburring large blocks of aluminum, steel and cast iron, using an operating pressure of 2 to 16 bar.

Operating pressures
(bar)



Chamber length
(mm)



Diameter chamber
measures (mm)



THE ADVANTAGE OF THE HORIZONTAL REVOLUTION

1. MORE CARE IN THE TREATMENT

With New-Tem the main flame is tangent and acts over the basket, in this way the flame does not hit directly the pieces.

2. RANGE EXPANSION OF TREATMENT

The tangent flame over the basket allows to expand the range of treatable pieces, no longer subject to superficial burns.

3. RESULTS UNIFORMITY

The baskets are completely surrounded by the deburring atmosphere avoiding the presence of protected areas.

4. HANDINESS

The rectangular shape of baskets, containing the pieces, facilitates the insertion in to the chamber and reduces the time for the manual positioning of the pieces.

5. CHAMBER INTERCHANGEABILITY = FLEXIBILITY

An easy interchangeability of the deburring chambers of different lengths gives the possibility of production change.

6. SAFE IGNITION

The use of low voltage current for the ignition of the mixture with an innovative system allows an easy ignition even at low pressures.

7. SIMPLIFICATION

The stroke of the chamber closing cylinder has been remarkably reduced: only 20 mm.

8. COST REDUCTION

We obtained a considerable simplification of the machine, which is extremely compact and allows a significant costs reduction of installation, maintenance and support.

OTHER FEATURES

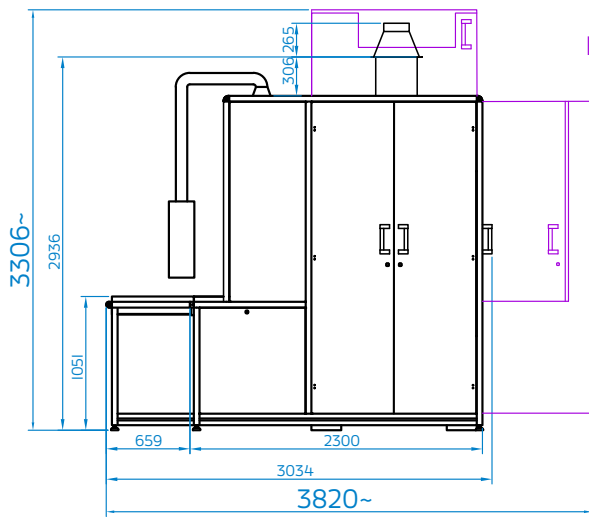
- Reduction of electricity consumption = respect for environment
- Availability of components
- Remote control high technology
- Safety



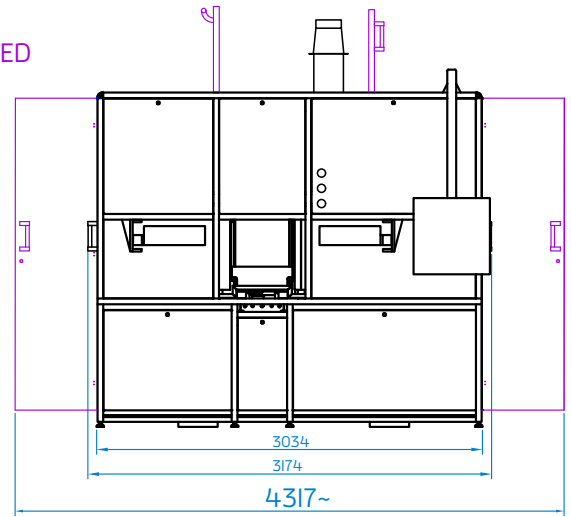
Via G. B. Stucchi 66/4
20900 Monza - Italia

Tel. +39.039.836246
Fax. +39.039.2840278

www.new-tem.com
sgm@new-tem.com

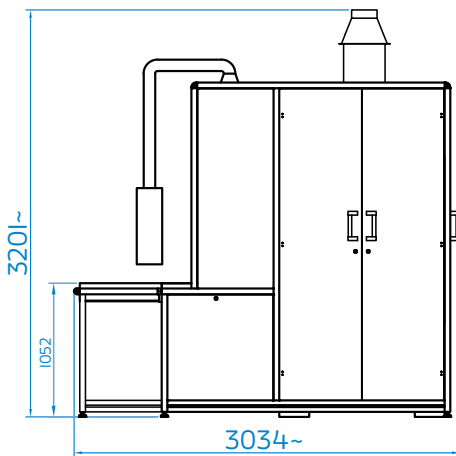


LAYOUT DOORS OPENED

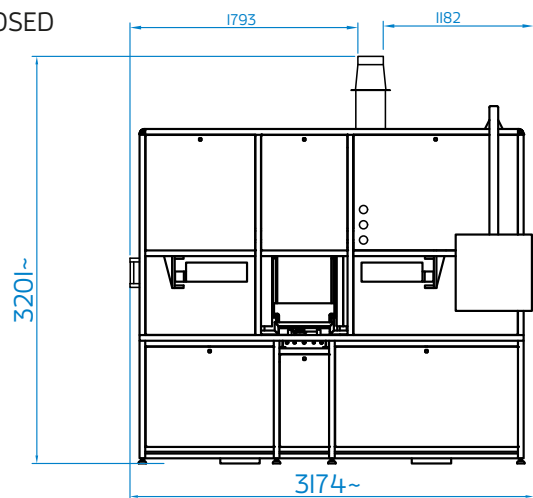


SIDE VIEW

LAYOUT DOORS CLOSED



FRONT VIEW



Machine dimensions	
Length [mm]	3034
Width [mm]	3174
Height [mm] (with discharge chimney predisposition)	2900
Weight [kg]	14000

Operating pressures [bar]	from 2 to 16
Cycle time [sec]	—
Installed power	20kw
Line voltage	380V 50Hz (3P+N+T)
Auxiliary voltage	24 V DC

Deburring chamber measures	
External length [mm]	from 500 to 600
Internal useful length [mm]	from 480 to 580
Diameter [mm]	410

The new New-Tem deburring machines are certifiable as conforming to the **INDUSTRIA 4.0** measures (compliant with Directive 2006/42 / EC and **subsequent amendments**).

The new deburring machines can be served by robotic feeding systems, with automated or manual rollers according to the requests of our customers.

